

# ASAHI AV VALVE AND PIPING SYSTEMS

## ASAHI AV VALVES

**COMPACT BALL VALVE** 13mm - 80mm(<sup>3</sup>/<sub>8</sub>inch - 3inch)



# COMPACT BALL VALVE 13mm - 80mm (3/8inch - 3inch)

## FEATURES

- Features such as compact, light weight and assembly of a reduced number of parts, the COMPACT BALL VALVES can easily be installed in a small space.

### NSF Product

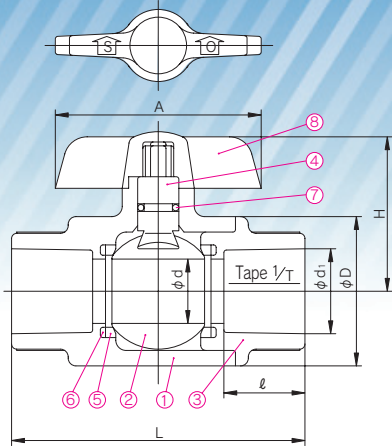
NSF("NSF/ANSI STANDARD 61" Drinking Water System Components-Health Effects)Product.

:Compact BALL VALVE (Material:PVC+EPDM)

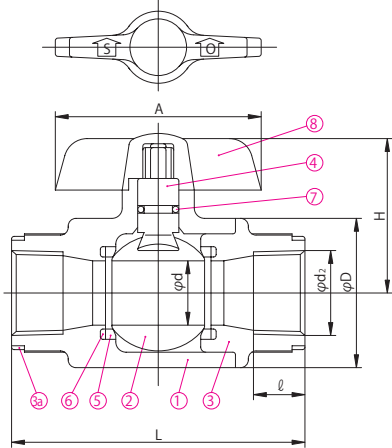
\*Certified products bear an NSF Certification Mark.



### ▼ SOCKET END



### ▼ THREADED END

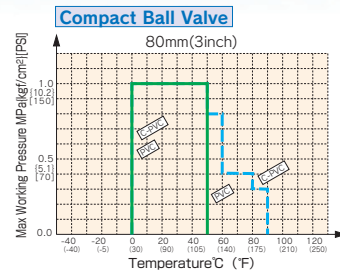
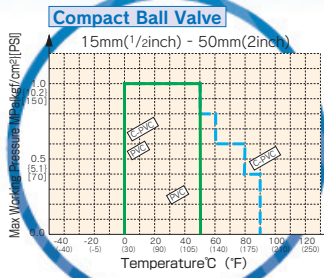


## MATERIAL AND WORKING TEMPERATURE

Body material	Working Temperature °C (°F)	Max.Working Pressure(at R.T.) MPa(kgf/cm <sup>2</sup> )[PSI]	End Connectors	Color
Unplasticized Polyvinyl Chloride(PVC)	0-50(30-120)	1.0{10.2} [150]	Socket End Threaded End	Dark gray
Chlorinated Polyvinyl Chloride(C-PVC)	0-90(30-195)	1.0{10.2} [150]	Socket End Threaded End	Brown or Light gray

Notes : 1. There is a dead space in a ball valve. Volatile liquids, such as a hydrogen peroxide (H<sub>2</sub>O<sub>2</sub>) and sodium hypochlorite (NaClO) may vaporize in the dead space, thus causing an abnormal pressure increase in the valve. (Important: Gas is compressible. Thus if its pressure rises abnormally, the valve can burst ejectng dangerous fragments.)

## WORKING PRESSURE VS. TEMPERATURE



## DIMENSIONS TABLE

DIN												Unit:mm	
Nominal Size	d	Socket End			Threaded End			D	H	A			
		DIN 2999			L	D	H					A	
		d <sub>1</sub>	ℓ	L									
13	3/8	13	16	14	85	Rc 3/8	15	85	35	42	60		
15	1/2	15	20	16	97	Rc 1/2	15	97	39	44	70		
20	3/4	20	25	19	102	Rc 3/4	17	102	48	55	80		
25	1	25	32	22	114	Rc 1	20	114	58	60	80		
32	1 1/4	31	40	26	127	Rc 1 1/4	22	127	66	70	95		
40	1 1/2	35	50	31	152	Rc 1 1/2	25	152	72.5	76	110		
50	2	45	63	38	176	Rc 2	28	176	88.5	85	110		
80	3	68.5	90	51	236	Rc 3	35	236	130	124	200		

ANSI												Unit:inch			
Nominal Size	d	Socket End			Threaded End			D	H	A					
		ASTM SCH40			L	ANSI/ASME B1.20.1						L	D	H	A
		d <sub>1</sub>	d <sub>2</sub>	ℓ		d <sub>1</sub>	ℓ								
1/2	13	0.51	0.848	0.836	0.69	3.35	1/2-14NPT	0.59	3.35	1.38	1.65	2.36			
3/4	20	0.79	1.058	1.046	0.72	4.02	3/4-14NPT	0.67	4.02	1.89	2.17	3.15			
1	25	0.98	1.325	1.310	0.87	4.49	1-11 1/2NPT	0.79	4.49	2.28	2.36	3.15			
1 1/4	32	1.22	1.670	1.655	0.94	5.00	1 1/4-11 1/2NPT	0.87	5.00	2.60	2.76	3.74			
1 1/2	40	1.38	1.912	1.894	1.09	5.98	1 1/2-11 1/2NPT	0.98	5.98	2.85	2.99	4.33			
2	50	1.77	2.387	2.369	1.16	6.93	2-11 1/2NPT	1.10	6.93	3.48	3.31	4.33			
3	80	2.70	3.516	3.492	1.87	9.29	3-8NPT	1.17	9.29	5.12	4.88	7.87			

## PARTS & MATERIALS

No.	DESCRIPTION	Pcs.	MATERIAL
①	BODY	1	PVC, C-PVC
②	BALL	1	PVC, C-PVC
③	END CONNECTOR	1	PVC, C-PVC
④	STEM	1	PVC, C-PVC
⑤	SEAT	2	PTFE
⑥	CUSHION	2	EPDM, FKM
⑦	O-RING	1	EPDM, FKM
⑧	HANDLE	1	ABS
⑨	RING※	2	STAINLESS STEEL304

Note : The ring (⑨) is used for C-PVC valves 13mm ~ 25mm in nominal size.



## AURO LOCATIONS

AURO Armaturen- und RohrhandelsgesmbH  
Lichtblaustraße 21  
A-1220 Wien  
Austria  
Tel: +43/1/2565555  
Fax: +43/1/256555555  
E-Mail: wien@auro.cc

AURO Bulgaria EOOD  
Illianci  
3, Azalia Str.  
BG-Sofia 1271  
Bulgaria  
Tel: +359/2/4894519  
Fax: +359/2/4894722  
E-Mail: bulgaria@auro.cc

AURO spol s.r.o  
Technická 2/539  
CZ-66448 Moravany u Brna  
Czech Republic  
Tel: +420/54/5233328  
Fax: +420/54/5234753  
E-Mail: auro@auro.cz

SC AURO Romania SRL  
25-27, Celofibrei Str.  
RO-077025 Bragadiru  
Judetul Ilfov  
Romania  
Tel: +40/21/4205217  
Fax: +40/21/4205218  
E-Mail: romania@auro.cc

AURO Budapest Kft.  
Gyár u. 2  
H-2040 Budaörs  
Hungaria  
Tel: +36/23/503920  
Fax: +36/23/503921  
E-Mail: aurobp@aurobp.hu